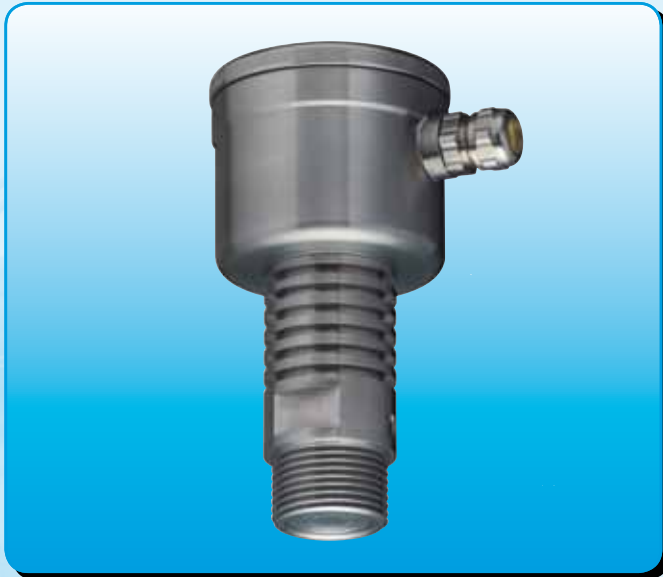





PRESSURE AND LEVEL TRANSMITTERS for MARINE Applications



- "ALL STAINLESS" TRANSMITTERS
- STRONG DIAPHRAGMS
- ACCURACY 0,2%
- ZERO/SPAN ADJUSTABLE
- HIGH BURST PRESSURES
- RUGGED/COMPACT DESIGN
- OUTPUT 4-20 mA
- TEMPERATURE COMPENSATED
- INTRINSICALLY SAFE ATEX  II 1 G Ex ia IIC T4 Ga
- MARINE APPROVALS



Description

Klay Instruments offers a wide range of pressure and level transmitters in **compact and rugged "All Stainless steel" design**, ideal for applications in the Marine and shipbuilding industry.

The series 8000 are internally adjustable on zero and span by 2 potentiometers. **All transmitters are fully temperature compensated and are equipped with strong flush mounted diaphragms.** For topmounting level applications our submersible transmitters "Hydrobar" can be used.



Gold plated diaphragm (option)

 **KLAY-INSTRUMENTS B.V.**

Nijverheidsweg 5
P.O. Box 13
Tel. +31-521-591550
Fax +31-521-592046

7991 CZ DWINGELOO
7990 AA DWINGELOO
Website: www.klay.nl
E-mail: info@klay.nl

Specifications

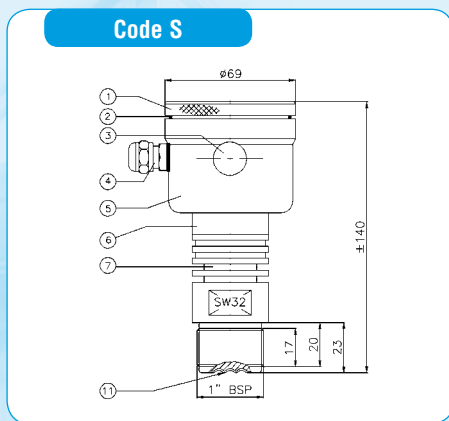
- Accuracy : 0,2% of adjusted span
- Measuring ranges : 0,1 bar to 80 bar
- Output signal : 4-20 mA / 2-wire
- Adjustment : Zero and span internally
- Power supply : 12 to 36 VDC
- Electrical connection : PG9 / 1/2" NPT or M20
- External load (max.) : 550 Ohms/24 V to 1250 Ohms/40 VDC
- Protection grade : IP66 (Option: IP68)
- Process temperature : -20°C to +80°C
- Ambient temperature : -30°C to +70°C
- Temperature sensitivity : +/- 0,015%/K
- Process connections : See Ordering Code (see options)
- Wetted parts : AISI 316 (standard)
- Electronic housing : AISI 304 (standard) (Option: AISI 316)
- Vacuum and compound ranges available (specify)

How to choose the right range?

When you choose the range, *take the range with the highest overpressure.*

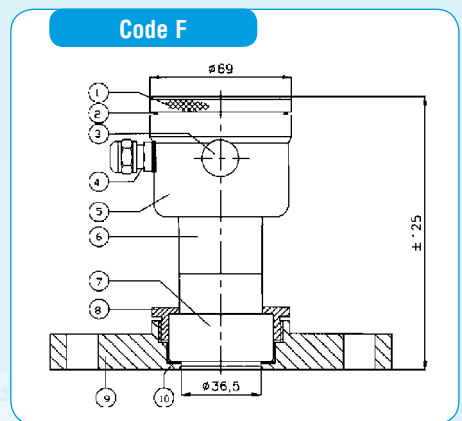
Example: Your calibrated range must be 0-10 bar. You can choose between range F (2,5-10 bar) or G (7,5-16 bar). Take range G because the overpressure for range G is 80 bar and overpressure for range F is 30 bar.

Specifications can change without notice



Parts description

1. Cover	AISI 304
2. O-Ring	EPDM
3. Venting	PA
4. Cable entry	
5. Electronic housing	AISI 304
6. Connecting part	AISI 304
7. Sensor foot	AISI 316
8. Lock ring	AISI 304
9. Flange	AISI 316
10. Packing ring	PTFE
11. Diaphragm	AISI 316



Ordering Codes

Order code			8000-				
Order code for Flanged process connection			8000-SAN-				
measuring range (bar)	maximum overpressure (bar)	adjustable span-range min. - max.(bar)					
0 - 0,1 ...0,4	6,4	0 - 0,1 / 0 - 0,4	B				
0 - 0,4 ...0,7	6,4	0 - 0,4 / 0 - 0,7	C				
0 - 0,7 ...1,5	10,5	0 - 0,7 / 0 - 1,5	D				
0 - 1 ...4	16	0 - 1 / 0 - 4	E				
0 - 2,5 ...10	30	0 - 2,5 / 0 - 10	F				
0 - 7,5 ...16	80	0 - 7,5 / 0 - 16	G				
0 - 16 ...50	120	0 - 16 / 0 - 50	H				
0 - 20 ...80	200	0 - 20 / 0 - 80	I				
PROCESS CONNECTIONS:							
- G1" (1" BSP) threaded connection (flush diaphragm)			S				
- Flanged DIN or ANSI, all sizes available (specify size)			Typecode: 8000-SAN-range-				
OPTIONS:							
- Digital local Indicator 3 1/2 digit, programmable				I			
- Vacuum Ranges (Specify relative or absolute). Compound range available (example -1 / +1 bar)					V		
- Intrinsically safe: ATEX II 1 G Ex ia IIC T4 Ga and IECEx						Ex	
- IP68 protection, vented cable mounted on cable entry (Specify cable length).							G6
- Hasteloy C diaphragm							G7
- Electronics housing AISI 316 (AISI 304 is standard)							G9
- Gold plated diaphragm							G16
- Process connection 1/2" BSP M. (By adapter)							G21
- Process connection 1/2" NPT M. (By adapter)							G35